

EF33 SFC Range



STATIC FREQUENCY CONVERTER Three Phase 5.0 – 200 kVA

Effekta Static Frequency Converters employ high frequency PWM technology (IGBT's) to achieve a high quality output under all load conditions. The systems are designed with PFC (Power Factor Correction), thereby reducing input current and harmonic distortion.

Effekta Static Frequency Converters are available in a wide power range and include an output isolation transformer as standard. The design offers flexibility on the input as well as the output, and can be configured for a wide variety of voltages and frequencies. A comprehensive LCD display, control panel and data logger provide detailed and accurate status and control of the system.

The EF33 SFC provides flexibility, efficiency and compatibility in applications where high quality wave shape is a critical factor.

FEATURES

- Adjustable Output Frequency
- Adjustable Output Voltage
- Sine Wave Output
- Microprocessor Control
- Modular Design Improving Reliability and Serviceability
- Data Logger Stores up to 200 Alarms

OPTIONAL FEATURES

Built-in Distribution:

- Additional output circuit breakers can be fitted internally to eliminate the need for an external distribution board

AC Output Earth Leakage Indication:

- Indicates downstream earth leakage, can be set to 30, 100 or 300mA

Remote Monitoring (RS 232):

- The system can be monitored and interrogated remotely using RS 232 connection

Remote Start / Stop:

- Allows the inverter to be controlled remotely

High IP Rating:

- Enclosure ratings are available from Standard IP 21 – maximum IP 54

Other Voltages / Frequencies:

- Other voltages and frequencies available on request

Battery Backup (UPS):

- Valve Regulated Lead Acid (VRLA)
- 10 Year Life at 20°C
- Complies with BS EN 6290-4

Additional Volt Free Contacts:

- Available for more comprehensive monitoring

Emergency Power Off (EPO):

- Turns off system output and shuts down rectifier

Powervamp Ltd
22 Bridgwater Court
Oldmixon Crescent
Weston-Super-Mare
BS24 9AY, England

Tel: +44 (0)1934 643000
Fax: +44 (0)1934 642800
Email: info@powervamp.com
www.powervamp.com



© Powervamp Ltd. Measurements, weights, technical performance and other specification data are typical and may vary. Powervamp reserves the right to alter or amend specifications without notice as part of its program of continuous improvement. Powervamp is a trademark of Powervamp Ltd.

TECHNICAL DATA

EF33 SFC Range	5K	6K	8K	10K	12K	15K	20K	30K	40K	50K	60K	80K	100K	200K*
Output active power (kW)	5.0	6.0	8.0	10.0	12.0	15.0	20.0	30.0	40.0	50.0	60.0	80.0	100.0	200.0
Apparent output power (kVA)	5.0	6.0	8.0	10.0	12.0	15.0	20.0	30.0	40.0	50.0	60.0	80.0	100.0	200.0

INPUT

Number of phases	3
Nominal input voltage (VAC)	400
Voltage tolerance	+ / - 10%
Nominal input frequency	50 Hz (+ / - 5%)
Single phase input available up to 20kVA. Other voltages and frequencies available.	

OUTPUT

Nominal output voltage	190 / 200 / 208 or 380 / 400 / 415V Three phase
Voltage adjustment	156–228V / 311–459V
Static voltage regulation	+ / - 1%
Nominal output frequency	50, 60, 400 Hz
Frequency adjustment	45–65 Hz / 360–440 Hz
Output frequency stability	0.1 Hz
Output wave shape	Sine wave
Load power factor	0.7 LAG – 0.9 LEAD
Overload	121% -2 mins, 160% - 5 secs
Other voltages and frequencies available on request.	

GENERAL

Operating temperature	0 – 40°C
Relative humidity	90% non-condensing
Altitude	Max 1000m before derating
Protection level	IP 21
Colour	RAL 7035 (other colours available)
Noise level	< 55 – 70 dBA @ 1m (free field conditions)

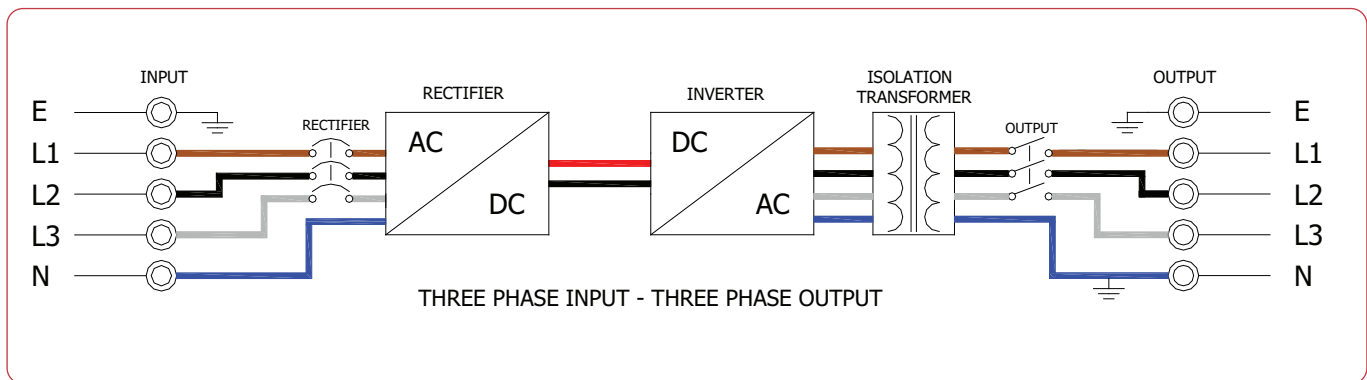
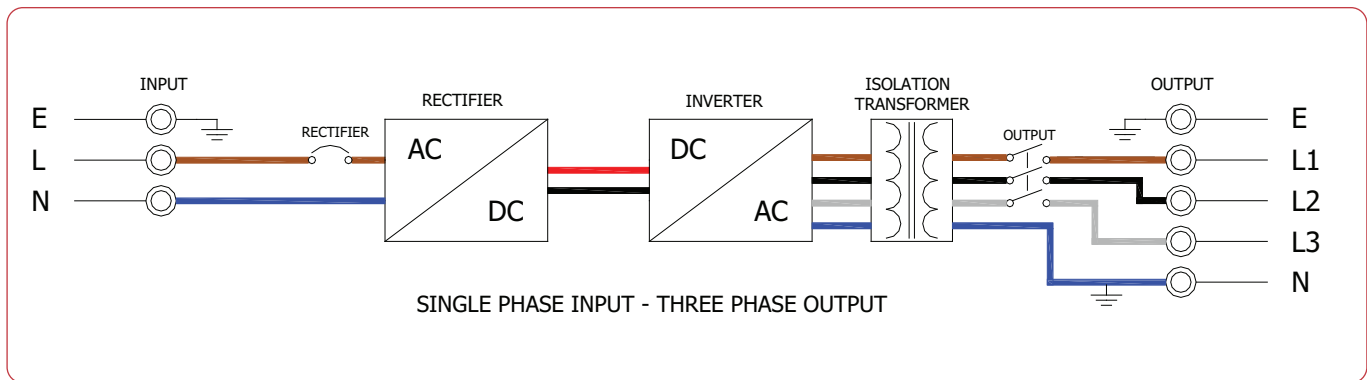
SYSTEM	5K	6K	8K	10K	12K	15K	20K	30K	40K	50K	60K	80K	100K
Enclosure (see below for dimensions)	NB	NB	NB	NB	NB	NC	NC	SD	SD	SE	SE	SG	SG
Weight (Kg)	160	160	180	200	220	265	360	500	530	700	800	900	1000

DIMENSIONS	Height (mm)	Width (mm)	Depth (mm)
NB	870	450	850
NC	980	530	850
SD	1850	830	630
SE	1850	830	830
SG	1900	1460	830

STANDARDS

Safety	EN 62040-1
Emissions	EN 61000-6-4
Immunity	EN 61000-6-2

* Effekta can produce the EF33 SFC range with any output from 5K to 200K. Contact the office to discuss your requirement on 01582 882332.



SYSTEM OPERATION

The Power Factor Corrected rectifier converts the single or three phase mains supply into DC, the PWM inverter switches the DC back to AC at the desired frequency and voltage, the output transformer provides Galvanic Isolation which isolates the input from the output. The output neutral is bonded to earth for safety.

PROTECTIONS

Overload Protection:

The system provides electronic overload protection to protect the system from excessive loading. Standard overloads settings allow for 121% for 2 minutes and 160% for 5 seconds.

Short Circuit Protection:

The system provides electronic short circuit protection by combination of IGBT saturation detection and peak current limiting.

Fault Clearance:

The system has a high fault clearance capability, as a general rule the system can clear a load circuit breaker of typically one third of the output current (C Curve). Designers should bear this in mind when calculating fault discrimination.

Over Voltage Protection:

The system provides over voltage protection by monitoring the input and output voltages electronically and shutting down the system to prevent damage. In addition, surge arrestors are fitted to the input and output for additional protection.

Phase Rotation Detection:

On three phase input systems, the phase rotation is checked before initialising the rectifier to ensure phase rotation is correct (clockwise).

OUTPUT VOLTAGE AND FREQUENCY ADJUSTMENTS

Voltage Adjustments

- From control panel
- Increments of 1 V
- Range 156–228 / 311–459

Frequency Adjustments

- From control panel
- Increments of 1 Hz
- Ranges:
 - 45 – 65 Hz
 - 360 – 440 Hz

Other options available on request

DIGITAL DISPLAY

Indicating Lights:

- Load on Inverter
- System Okay
- Warning
- Fault
- Inverter Off
- Rectifier Fault

Push Buttons:

- Menu
- Menu Navigation
- Reset
- Inverter On/Off
- Buzzer Mute

Alarms:

- Mains Failure
- Overload
- Short Circuit
- Inverter Fault
- Over Temperature
- Charger Fault
- Under/Over Voltage
- Power Supply Fault

- Phase Rotation Incorrect
- IGBT Saturation

Display Type:

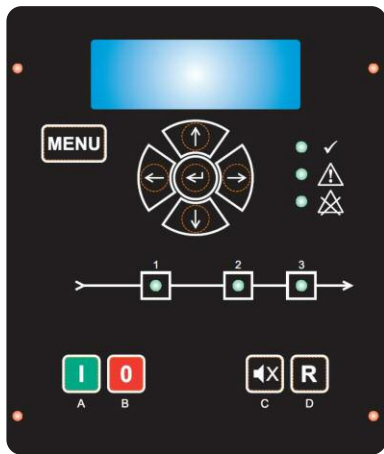
- 4 line x 20 Character LCD

Metering:

- Mains Voltage & Frequency
- Inverter Voltage & Frequency
- Load VA
- Load %
- Load Current

Other Information:

- Time and Date
- Enclosure Temperature
- Setup Information



REMOTE MONITORING / CONNECTIONS

Volt Free Contacts:

Includes 1 volt free contact for status of the system output. Normally open and normally closed contacts are provided.

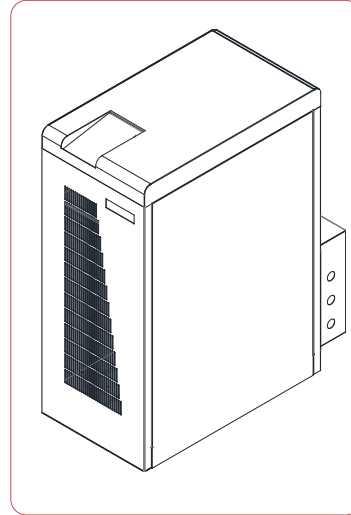
The alarm relay is energised when in healthy condition and relaxes into the fault condition. This ensures the contacts indicate a fault condition even when the system is off.

ENCLOSURE

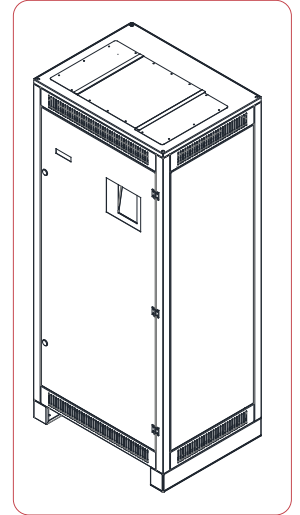
Enclosure Features:

- Zintec Sheet Steel
- Rear Cable Entry (NB/NC)
- Top Cable Entry (SD/SE/SG)
- Removable Gland/Back Plates
- NB/NC Enclosures fitted with castors
- SD/SE/SG Enclosures fitted with 100mm plinth

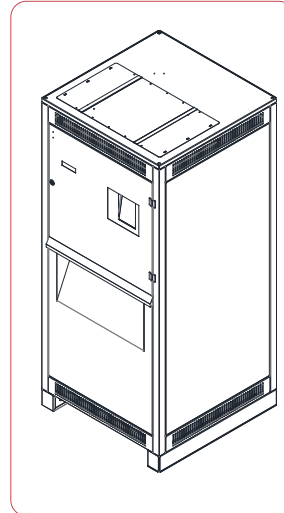
The NB/NC enclosure



The SD enclosure



The SE enclosure



The SG enclosure

